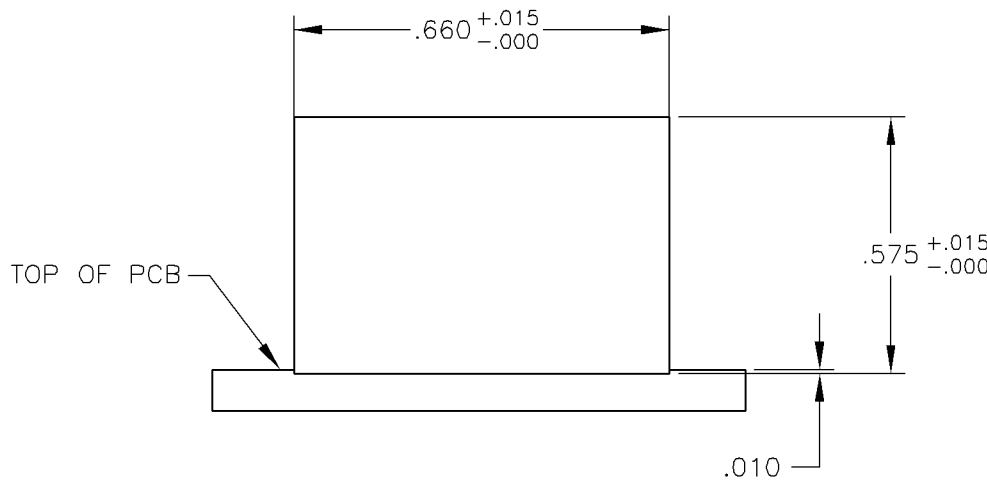
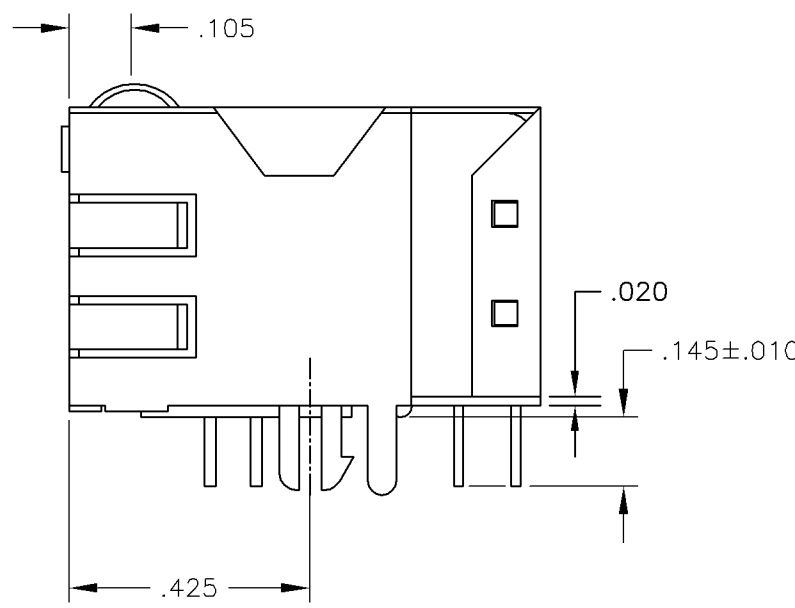
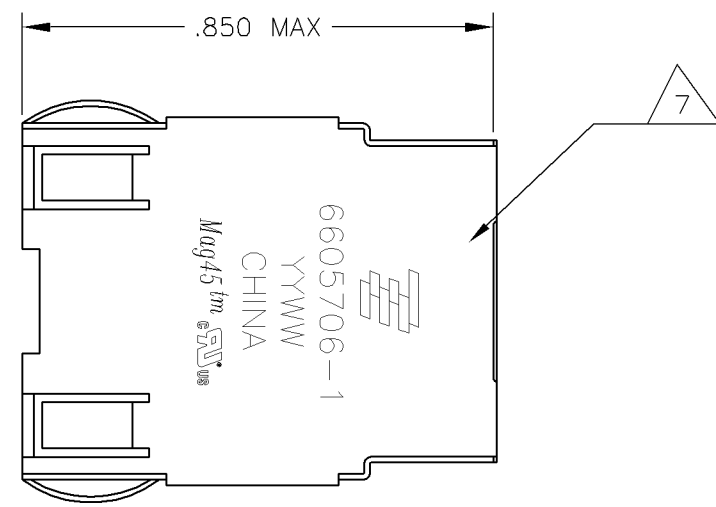
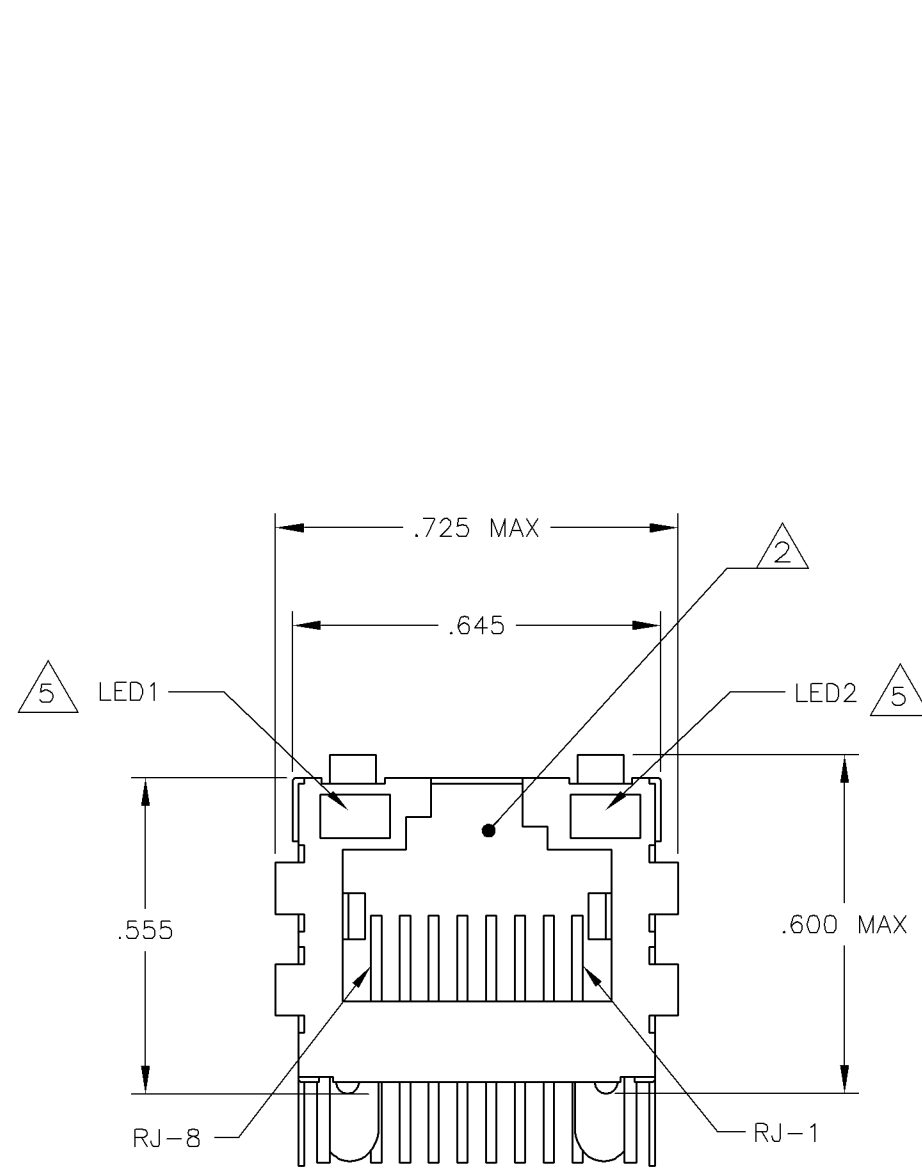


LOC		DATE		REVISIONS		
#	REV	DATE	BY	DESCRIPTION	DATE	BY
B		11APR2008	SX	REV PER ECO-08-008154		TX

MECHANICAL:



Suggested Panel Cutout

MATERIALS:
 HOUSING - THERMOPLASTIC PET POLYESTER FLAMMABILITY RATING UL 94V-0.
 SHIELD - .010" THICK, C26800 BRASS PREPLATED WITH 30µinch MIN SEMI-BRIGHT NICKEL; SOLDER TABS POST DIPPED WITH 100µinch MIN SAC SOLDER.
 MOD JACK CONTACTS - .0157" x .018", PHOSPHOR BRONZE, 50µinch MIN OVERALL NICKEL UNDERPLATE, WITH SELECT 50µinch MIN HARD GOLD FINISH PLATE. SOLDER TAILS WITH 100µinch MIN MATTE TIN AND/OR SAC SOLDER DIP.
 LIGHT EMITTING DIODE(LED) - DIFFUSED EPOXY LENS, .020" x .020" CARBON STEEL WIREFRAME LEADS PREPLATED WITH 80µinch SILVER OVER 40µinch NICKEL UNDERPLATE OVER 40µinch COPPER UNDERPLATE; POST-PLATED WITH 100µinch MIN MATTE TIN AND/OR SAC SOLDER DIP OR PURE TIN SOLDER DIP.

RJ45 JACK CAVITY CONFORMS TO FCC RULES AND REGULATIONS PART 68, SUB PART F.

MAGNETICS:
 -IMPEDANCE: 100 OHMS
 -TRANSMIT OPEN CIRCUIT INDUCTANCE (OCL): 350µH (MIN) @100KHZ, 0.1VRMS WITH 8 mA DC BIAS. FOR EACH TRANSFORMER OVER T = 0°C TO +70°C.

-TURNS RATIO (CHIP : CABLE): TX: 1:1, RX: 1:1

PERFORMANCE: @ 25°C
 -INSERTION LOSS (IL): 1.1db MAX FROM 0.5MHz TO 100MHz
 -RETURN LOSS (RL): 18db MIN FROM 0.5MHz TO 30MHz
 18 - 20LOG (f/30)db MIN FROM 30.1MHz TO 60MHz
 12db MIN FROM 60.1MHz TO 80MHz
 -CROSSTALK ATTENUATION: 35db MIN FROM 0.5MHz TO 40MHz
 33-20LOG (f/50)db MIN FROM 40.1MHz TO 100MHz
 -COMMON MODE REJECTION RATIO (CMRR): 30db MIN FROM 0.5MHz TO 100MHz
 -DIELECTRIC (ISOLATION VOLTAGE): 2250 VDC (1mA CUTOFF CURRENT), 60 SECONDS BETWEEN ALL RJ45 CONTACTS AND ALL SIGNAL PINS WITH OUTER SHIELD

4. OPERATING TEMPERATURE: FROM 0°C TO +70°C.

THE 250 OHM LED RESISTORS ARE OPTIONAL, PLEASE SEE CHART FOR PRESENCE OR ABSENCE OF LED RESISTORS. IF THE LED WITHOUT 250 OHM RESISTORS, LED IS DRIVEN WITH CONSTANT CURRENT AT APPROX 20mA.

LED COLOR: DOMINANT WAVELENGTH (AD): GREEN 568 nm TYP. at IF=20mA
 FORWARD VOLTAGE (VF): GREEN 2.2V TYP. at IF=20mA
 DOMINANT WAVELENGTH (AD): YELLOW 588 nm TYP. at IF=20mA
 FORWARD VOLTAGE (VF): YELLOW 2.1V TYP. at IF=20mA.

IF THE LED WITH 250 OHM RESISTORS, LED IS DRIVEN WITH 5V VOLTAGE AND THE MAX OPERATING CURRENT IS 20mA.

LED COLOR: DOMINANT WAVELENGTH (AD): GREEN 568 nm TYP. At VF=5V
 FORWARD CURRENT (IF): GREEN 12 mA TYP. at VF=5V
 DOMINANT WAVELENGTH (AD): YELLOW 588 nm TYP. At VF=5V
 FORWARD CURRENT (IF): YELLOW 13 mA TYP. at VF=5V

INDICATED CONNECTIONS ARE FOR NIC CONFIGURATION. THE MAGNETICS ARE ASYMMETRICAL, AND DO NOT SUPPORT AUTO-MDI/MDIX.

TYCO ELECTRONICS LOGO, PART NUMBER, DATE CODE, COUNTRY OF ORIGIN AND AGENCY APPROVAL MARKING IN APPROXIMATE LOCATION SHOWN.

THESE PARTS ARE RECOMMENDED FOR WAVE SOLDERING PROCESS, PEAK WAVE SOLDERING TEMPERATURE IS 265°C MAX, 10 SECONDS MAX.

LED1	LED2	250 OHMS RESISTOR	250 OHMS RESISTOR	PART NUMBER	
YES	GREEN	YES	GREEN	YES	6-6605706-1
YES	YELLOW	NO	GREEN	NO	5-6605706-9
YES	GREEN	NO	YELLOW	NO	5-6605706-8
YES	GREEN	NO	GREEN	NO	5-6605706-7
YES	GREEN/YELLOW	NO	GREEN/YELLOW	NO	5-6605706-6
YES	GREEN/YELLOW	NO	GREEN	NO	5-6605706-5
YES	YELLOW	YES	GREEN	YES	5-6605706-2
YES	GREEN	YES	YELLOW	YES	5-6605706-1
NO	GREEN	YES	GREEN	YES	1-6605706-1
NO	GREEN	NO	GREEN	NO	6605706-7
NO	GREEN/YELLOW	NO	GREEN/YELLOW	NO	6605706-6
NO	GREEN	YES	YELLOW	YES	6605706-1

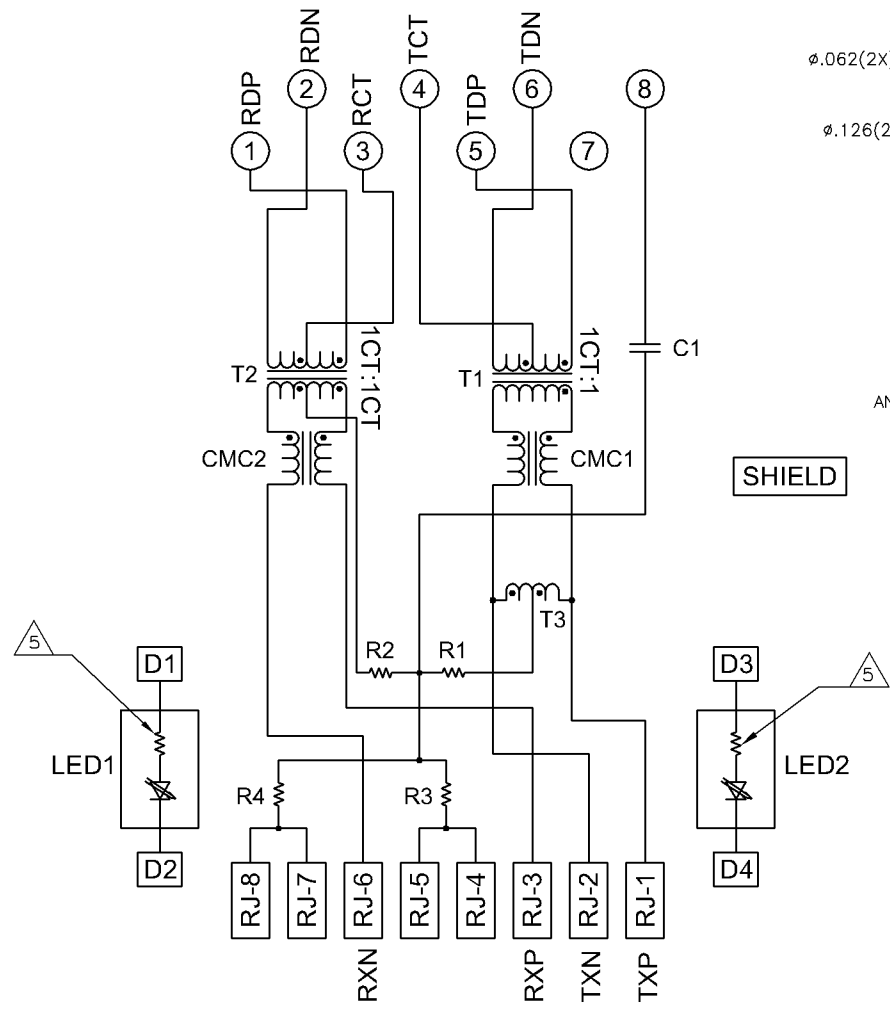
THIS DRAWING IS A CONTROLLED DOCUMENT. **M. HOSEK/R.GRZYBOWSKI** Tyco Electronics Corporation
 Tyco Electronics Harrisburg, Pa 17105-3808

DIMENSIONS: INCHES	TOLERANCES UNLESS OTHERWISE SPECIFIED:	DATE	10/11/08	NAME	D. FAROLE
0 PLG ± .01	1 PLG ± .01	PRODUCT SPEC	108-2100	SIZE	A1
2 PLG ± .01	2 PLG ± .01	APPLICATION SPEC		DATE CODE	00779
3 PLG ± .005	3 PLG ± .005			DRAWING NO	6605706
4 PLG ± .005	4 PLG ± .005			RESTRICTED TO	
ANGLES				SCALE	1:1
FINISH				SHEET	1 of 2
SEE NOTE 1	SEE NOTE 1			REV	B

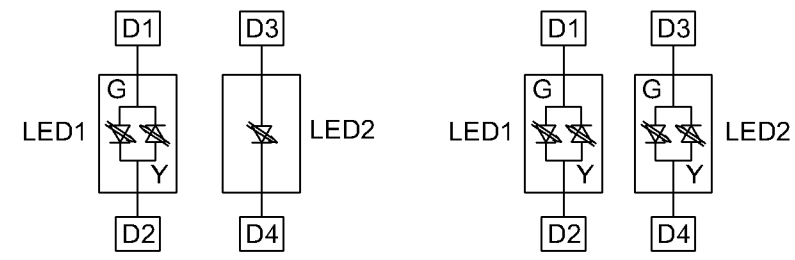
CUSTOMER DRAWING

LOC		DIST		REVISIONS			
#	LTN	DESCRIPTION	DATE	BY	APPD		
-	-	SEE SHEET 1	-	-	-	-	-

714 SERIES MAGNETIC CIRCUIT $\triangle 3 \triangle 6$

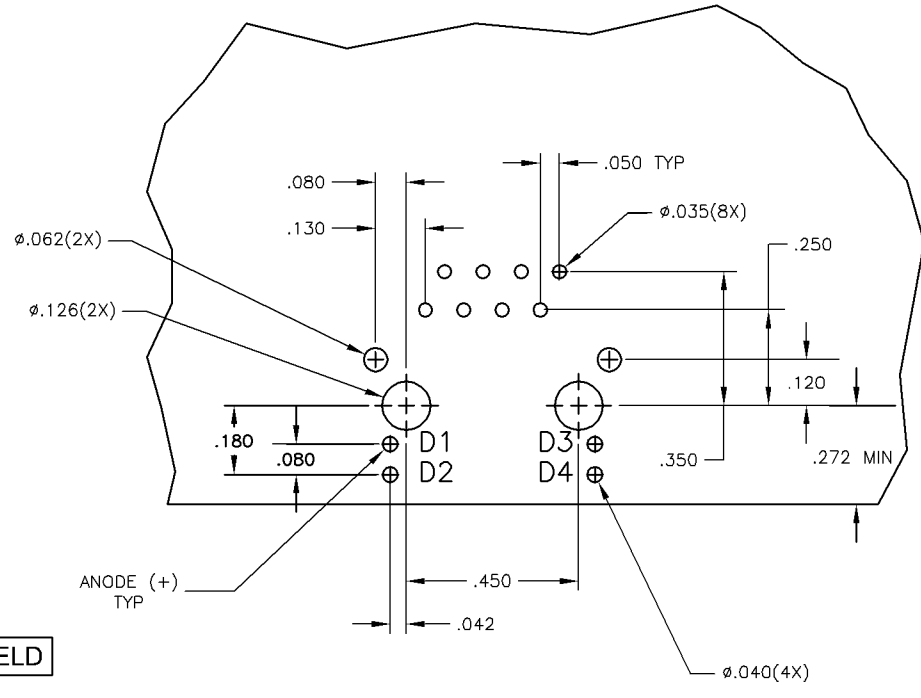


C1 = 1000pF, 2kV DECOUPLING CAPACITOR
 R1-R4 = 75 OHMS, 1/16W, RESISTORS

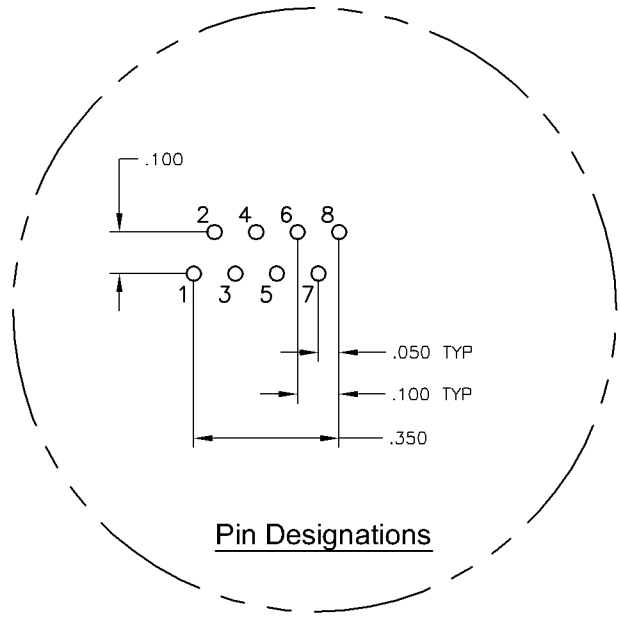


LED CONFIGURATION FOR 5-6605706-5 ONLY

LED CONFIGURATION FOR 6605706-6 AND 5-6605706-6



Suggested PCB Layout (Component Side)



Pin Designations

THIS DRAWING IS A CONTROLLED DOCUMENT.		DRN M. HOSER/R. GRZYBOWSKI	17MAY05	Tyco Electronics Corporation Tyco Electronics Harrisburg, Pa 17105-3608	
DIMENSIONS: INCHES		TOLERANCES UNLESS OTHERWISE SPECIFIED: D. FAROLE	18MAY05	NAME D. FAROLE	
0 PLD ± -		PRODUCT SPEC	1X1 MAG45 (TM) MODULAR JACK, 7N2 SCHEMATIC, 714 SERIES CIRCUIT, SHIELDED, OPTIONAL DECOUPLING CAPACITOR WITH LEADS		
1 PLD ± -		APPLICATION SPEC	108-2100		
2 PLD ± .01		SIZE	DATE CODE	DRAWING NO	RESTRICTED TO
3 PLD ± .005		WEIGHT	A1	00779	6605706
4 PLD ± -		SCALE	1:1		SHEET 2 OF 2
MATERIAL SEE NOTE 1		FINISH SEE NOTE 1	CUSTOMER DRAWING		REV B